



320 mm



500x500 mm

OPTIONAL:

PAP: Rinse booster pump.

PDS: Detergent dosing.

PS: Drain Pump.

A: Watersoftener.

Dishwasher N 700 F

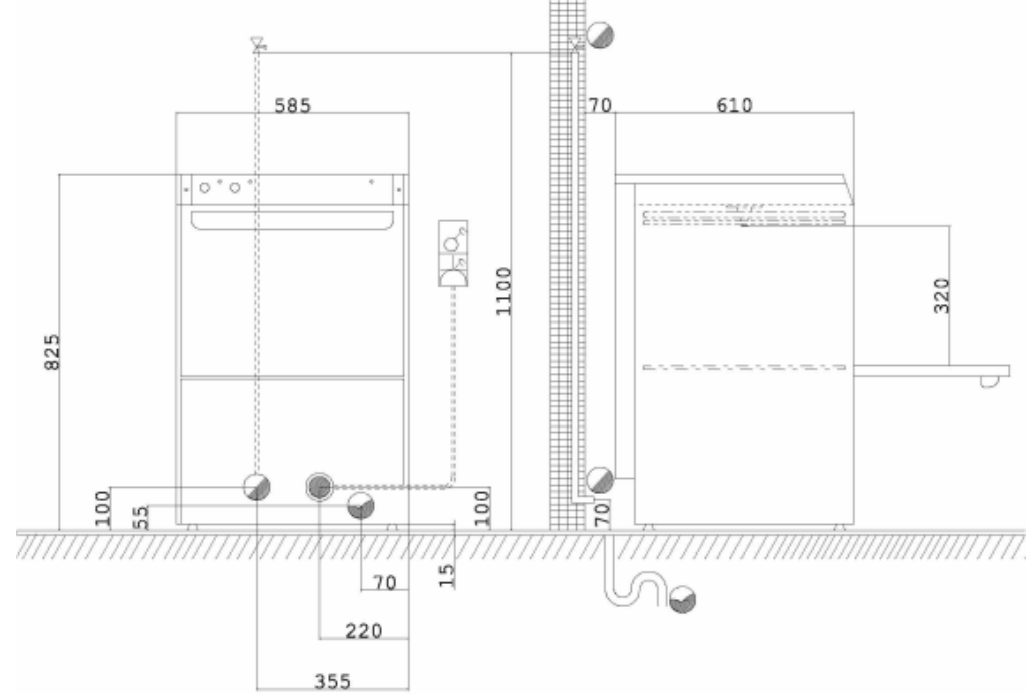
Constructed of catering grade 18/8 AISI stainless steel wash tank with integral basket slides.

Top panel slides out for easy access to electrical components.

Double skinned door and outer panels for additional strength and reduced noise levels.

Pressed moulded basket support.

Powerful anti-clog wash arms and contra-rotating light weight rinse arms for optimum results.



Power supply	V	400V/3+N 230V/1
Frequency	Hz	50
Max. power consumed	kW	3,9
Boiler element power	kW	3,5
Tank element power	kW	2
Wash pump power	kW	0,4
Water supply pressure	kPa	200-400
Water supply temperature	°C	50 – 60
Water supply hardness	°dF	7 – 12
Water consumption per rinse	l	2,5
Boiler capacity	l	5,5
Tank capacity	l	26
Standard cycle duration with water supply at 50°C	s	180
Noise level	dB(A)	62
Protection rating	IPX	1
Net Weight	kg	58
Power cable type	◀HAR▶	H07RN-F